



# **INSTALLATION / OPERATION** **INSTRUCTIONS**



## ***V-Twin, Cruiser & Sport Bike*** ***Removable*** ***'Self Standing & Adjustable'*** ***Cycle Chock***

Including:  
**Universal Trailer Mount Kit**

Model: 03-PMWC-01 (B1)

### **WARNING**

**BEFORE USE**  
**PLEASE READ ALL WARNINGS AND**  
**INSTRUCTIONS TO PREVENT SERIOUS INJURY**

- Before each use, check that the CYCLE CHOCK is in proper working condition.
- Only mount CYCLE CHOCK on a flat surface able to handle the weight of motorcycle.
- Do not let children play on or around CYCLE CHOCK when loaded or unloaded.

## Feature Information

- The PROMAX Cycle Chock is designed specifically to bolt down and fit all Drop-Tail Trailers using only the four Three Arm Knob Screws.
- The PROMAX Cycle Chock can be used as an additional or replacement wheel chock for Drop-Tail Trailers.
- The PROMAX Cycle Chock also comes standard with a Universal Trailer Mount Kit with the ability to use on most all flat surfaced trailers and truck beds.

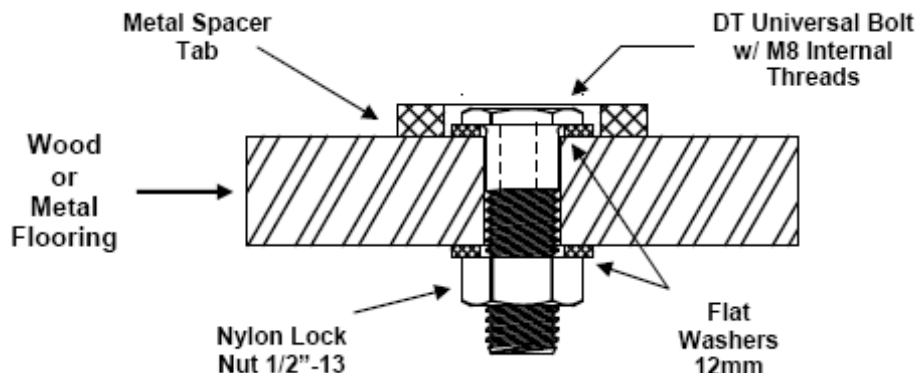
## Installation Instructions

### Drop-Tail Trailer mounting procedure:

1. Carefully unpack contents from box & check for missing or broken parts.  
(If any parts are found to be missing or broken, please contact Drop-Tail Trailers @ 877-284-9008.)
2. Locate the four each - Three Arm Knob Screws (4), 8mm Flat Washers (5) and Rubber Washers (6).  
Note: Rubber Washers may already be attached to underside of Cycle Chock tabs.
3. Line up the four Tab holes and mount the PROMAX Cycle Chock to the set of preinstalled holes on the Drop-Tail Trailer using the four Knob Screws and 8mm Flat Washers. Tighten Knob Screws to secure Cycle Chock to trailer.

### Universal Trailer Mount Kit mounting procedure:

1. Position the Cycle Chock to front section of trailer or truck bed.
2. Locate front of Cycle Chock 1" behind nearest obstruction.
3. Once properly positioned, mark the Cycle Chock tab holes onto trailer or truck bed. Ensure holes are square to trailer or truck bed.
4. Remove Cycle Chock and locate the marked holes; carefully drill 9/16" diameter holes through the trailer or truck bed.
5. Install Universal Trailer Mount Kit as shown in diagram below.
6. Mount the Cycle Chock to installed bolts using the four Knob Screws and Washers.

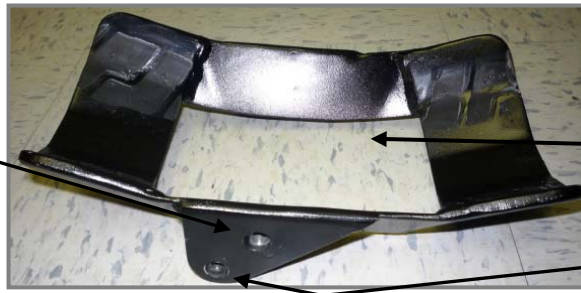


# Operation Information

1. Before using the Cycle Chock, check to ensure the Cycle Chock is properly mounted to trailer or truck bed by making sure all Knob Bolts are firmly tightened.
2. Adjust the Cycle Chock's Pivot Cup (2) to one of 10ea pivot points by loosening and removing the Shoulder Bolts (3) on each side of the Chock. This will allow the Cycle Chock Pivot Cup to properly fit and capture the bike's front tire as shown below.

**IMPORTANT**  
FOR TRAILER OR TRUCK BEDS  
ENSURE THE PIVOT CUP'S PIVOT POINT IS TO THE BOTTOM HOLES.

**NOTE:**  
FOR FLOOR-STAND  
APPLICATION  
ENSURE PIVOT CUP'S  
PIVOT POINT IS TO  
THE UPPER SET OF  
HOLES.

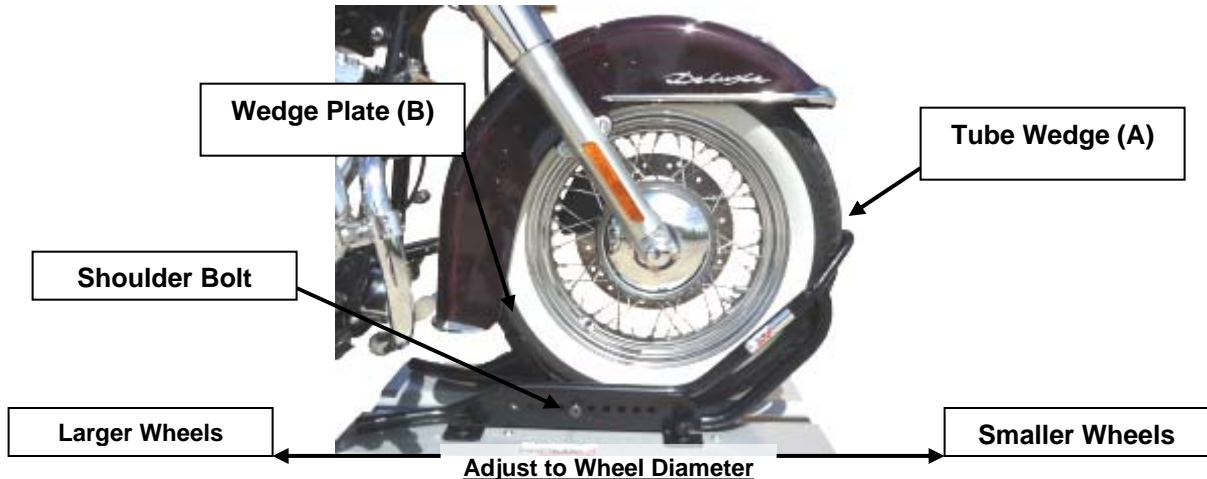


Ride On Direction

MOUNT TO PIVOT ONLY AT  
BOTTOM SET OF HOLES  
FOR TRAILER OR TRUCK  
BED APPLICATIONS

## Pivot Cup Adjustment

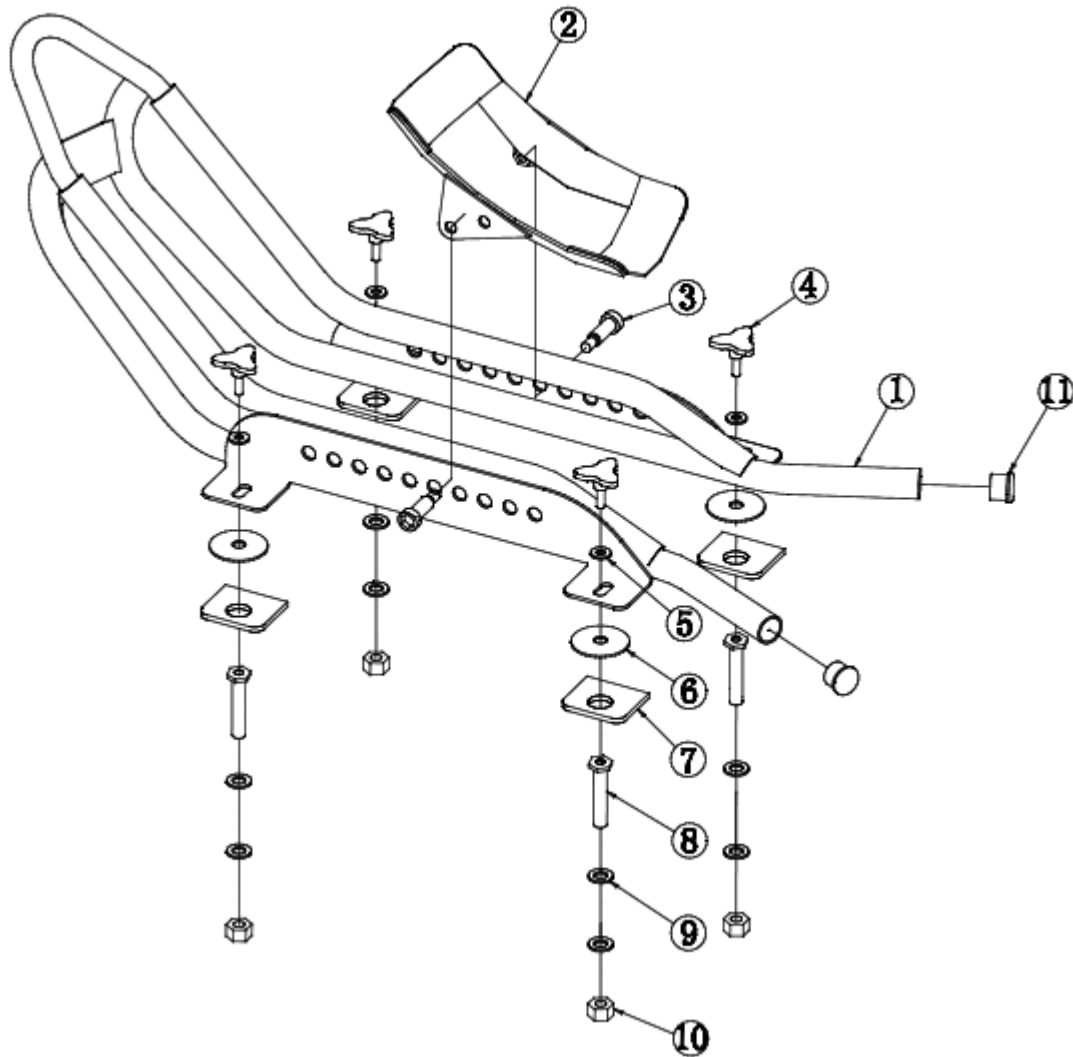
For Proper Pivot Cup adjustment, ensure the front bike tire is fully contacting the 'front' Tube Wedge (A) and the Pivot Cup rotates against rear of tire for full contact of Wedge Plate (B).



3. Once Chock is mounted and adjusted, carefully ride bike onto the chock until the Pivot Cup 'cams' over to secure the front wheel in place. Shut off and leave the bike in 1<sup>st</sup> gear.
4. Using ratchet style Tie-Downs Straps, locate front and rear anchor points for trailer or truck bed to attach straps.  
Position for Front straps: should be 'forward and down' to the trailer from the bike's frame or 'solid type' handlebars. Compress front suspension to 75% minimally.  
Position for Rear straps: should be to each side of the bike and down to the trailer or truck bed anchor points. Ensure the bike is straight and firmly in place when completed. Compression of rear suspension is not necessary.

**NOTE: ALWAYS USE TIE-DOWN STRAPS WHEN HAULING OR TRAILERING!!**

## Exploded View / Parts List



Item	Part Number	Description	Qty
1	DT2200-7110 (A)	Tubular Main Frame, PROMAX WC (A)	1
2	DT2200-7120	Pivot Cup Weldment	1
3	13121388B	Shoulder Bolt 1/2"x1-3/8", 3/8"-16x5/8"	2
4	92080202W	Three Arm Knob Screw M8x20mm	4
5	30080012W	Flat Washer $\phi$ 8mm	4
6	DT2200-7131	Rubber Washer	4
7	DT2200-7132	Metal Spacer Tab	4
8	DT2200-7133	DT Universal Bolt 1/2"-13 x 3" w/ M8 Internal Threads	4
9	30120002W	Flat Washer $\phi$ 12mm	8
10	41120132W	Nylon Lock Nut 1/2"-13	4
11	92270012B	Plastic Plug $\phi$ 27	2

# LIMITED WARRANTY POLICY

## Limited Warranty Periods

- **Hunting Equipment:** 1 Year (12 months) from the date of purchase.
- **Trailer Products:** 1 Year (12 months) from the original date of purchase.
- **Hydraulic Cylinders, Rams, Hose Assemblies, and Fittings:** 2 Years (24 months) from the date of purchase.
- **Sub-component Items:** Many sub-component items are warranted separately by the respective manufactures and are covered by warranty of their manufacturer. Examples of such items may include safety harnesses and tie-down systems, wheels, tires, axles, bearings, lights, straps, chain, hardware and like items. The sub-components original manufactures product warranty supersedes and takes precedence over this limited warranty policy.

**NOTE: ALL WARRANTY CLAIMS MUST BE PREAPPROVED BY THE MANUFACTURER (THE COMPANY) TO BE VALID.**

Products are warranted to be free of defects in materials and/or workmanship for the warranty period. Under this limited warranty, the Company shall be limited to repairing or replacing, at its option, for the warranty period, those parts returned to the factory, freight prepaid, which in the opinion of the Company shall prove to be defective in materials or workmanship, under normal use and service. This warranty will not apply unless the product is installed, used and maintained in accordance with the Manufacturers installation, operation and maintenance instructions.

This warranty applies to the **ORIGINAL** purchaser only, and is non-transferable. The Company warrants the products to be free of defects in material and workmanship but, does not cover normal maintenance or adjustments, damage or malfunction caused by: improper handling, installation, abuse, misuse, negligence, carelessness of operation or normal wear and tear. In addition, this warranty does not cover equipment when repairs or alterations have been made or attempted without the express written consent of the company. Product repairs not covered by the warranty, and product updates, will be provided at the prevailing rate.

The Company is not responsible for damage caused by accident, negligence, abuse, overloading, misapplication, or misuse of the products. It is solely the purchaser's responsibility to determine the suitability of these products for the particular application. **Limitations:** All other obligations or liabilities, including incidental or consequential damages or contingent liabilities arising out of the failure of any parts to operate properly are hereby excluded, including but not limited to any damages resulting from loss of use, inconvenience, loss of time, commercial loss, or any other type of damages general or specific, foreseen or unforeseen, unless applicable state law provides otherwise.

THIS WARRANTY IS EXCLUSIVE AND IS IN LIEU OF ALL OTHER WARRANTIES EXPRESSED OR IMPLIED INCLUDING ANY IMPLIED WARRANTY OR MERCHANTABILITY OR ANY IMPLIED WARRANTY OF FITNESS FROM A PARTICULAR PURPOSE, AND ALL SUCH IMPLIED WARRANTIES ARE EXPRESSLY EXCLUDED.

THE REMEDIES DESCRIBED ARE EXCLUSIVE AND IN NO EVENT SHALL THE COMPANY, NOR ANY SALES AGENT OR OTHER COMPANIES AFFILIATED WITH IT OR THEM, BE LIABLE FOR SPECIAL CONSEQUENTIAL OR INCIDENTAL DAMAGES FOR THE BREACH OF OR DELAY IN PERFORMANCE OF THIS WARRANTY. THIS INCLUDES, BUT IS NOT LIMITED TO, LOSS OF PROFIT, RENTAL OR SUBSTITUTE EQUIPMENT OR OTHER COMMERCIAL LOSS.

**This warranty shall be governed by the laws of the State of Texas, and shall be subject to the exclusive jurisdiction of the Court in the State of Texas in the County of Tarrant.**

**RETURNS:** Products may not be returned without written approval (Return Material Authorization) from the Company.

**Direct Outdoor Products, Drop Tail Trailers, United Hydraulics, LLC**  
Rev04152008